

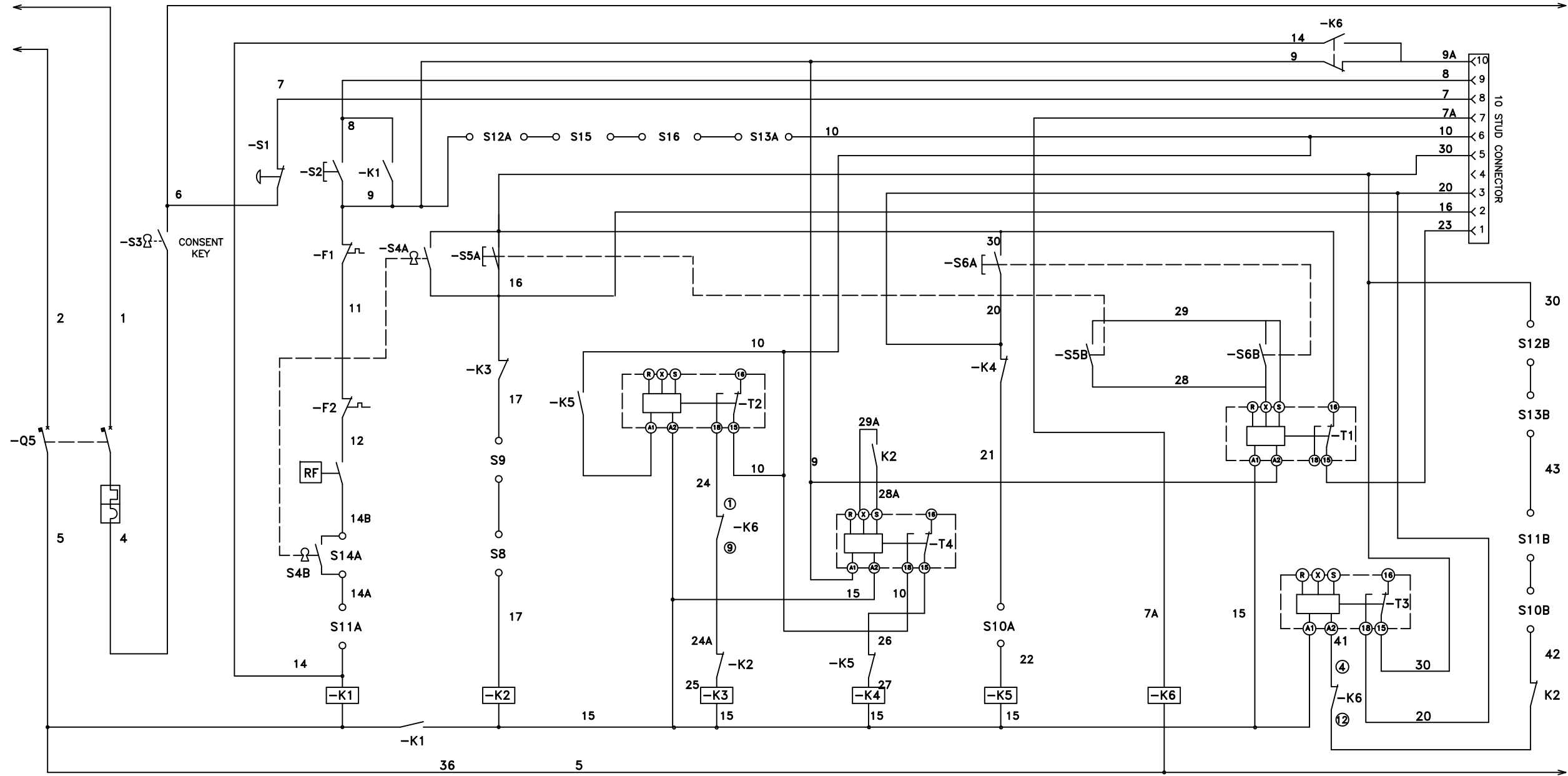
SHEET N°2 B-C/7

-F1		-RF		-F2	
NO	NC	NO	NC	NO	NC
	2- G/15	2-K/15		2-J/15	
		3-E/18			

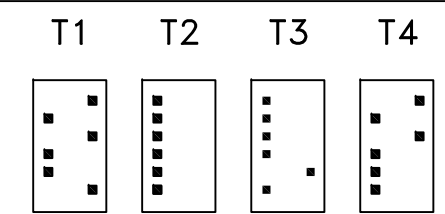
SHEET N°1

○ 4/8 STUD CONNECTOR NUMERATION

MODIFY:			ORDER:
MODIFY:			CUSTOMER:
MODIFY:			SCALE:
DATE	CHECKED	MACHINE:	
29.11.04	29.11.04	ASC JUNIOR (tradehouse)	
SIGN.	VERGERIO	FURLAN	
			DESCRIPTION:
Via S. Rocco, 8 31041 CORNUDA (TV) Tel/Fax Uff. Tecnico 0423/688843 Tel. Sede Amm. 0423/639321 Fax: 0423/639410 PONTEGGI AUTOSOLLEVANTI Indirizzo: Internet.tech@safi.it			POWER CIRCUIT
SUBSTITUTE:	SUBSTITUTED:	DRAWING:	SHEET:
2.04.57.003		2.04.57.001	1



-K1		-K2		-T2		-K3		-K4		-K5		-T1		-T3		-T4		-K6 (DROP TEST)	
NO	NC	NO	NC	NO	NC	NO	NC	NO	NC	NO	NC	NO	NC	NO	NC	NO	NC	NO	NC
1-G/11		1-H/8	2-P/25	2-J/25		1-H/11	2-I/20	1-H/18	2-I/32	1-H/21	2-P/29			2-B/41	2-C/41				
1-G/11		1-H/8	2-Q/46			1-H/11		1-H/18		1-H/21				2-M/25					
1-G/12		1-H/9				1-H/12		1-H/19		1-H/21				2-Q/41					
1-G/18		2-K/29																	
1-G/18																			
2-E/16																			
2-R/17																			
3-G/20																			



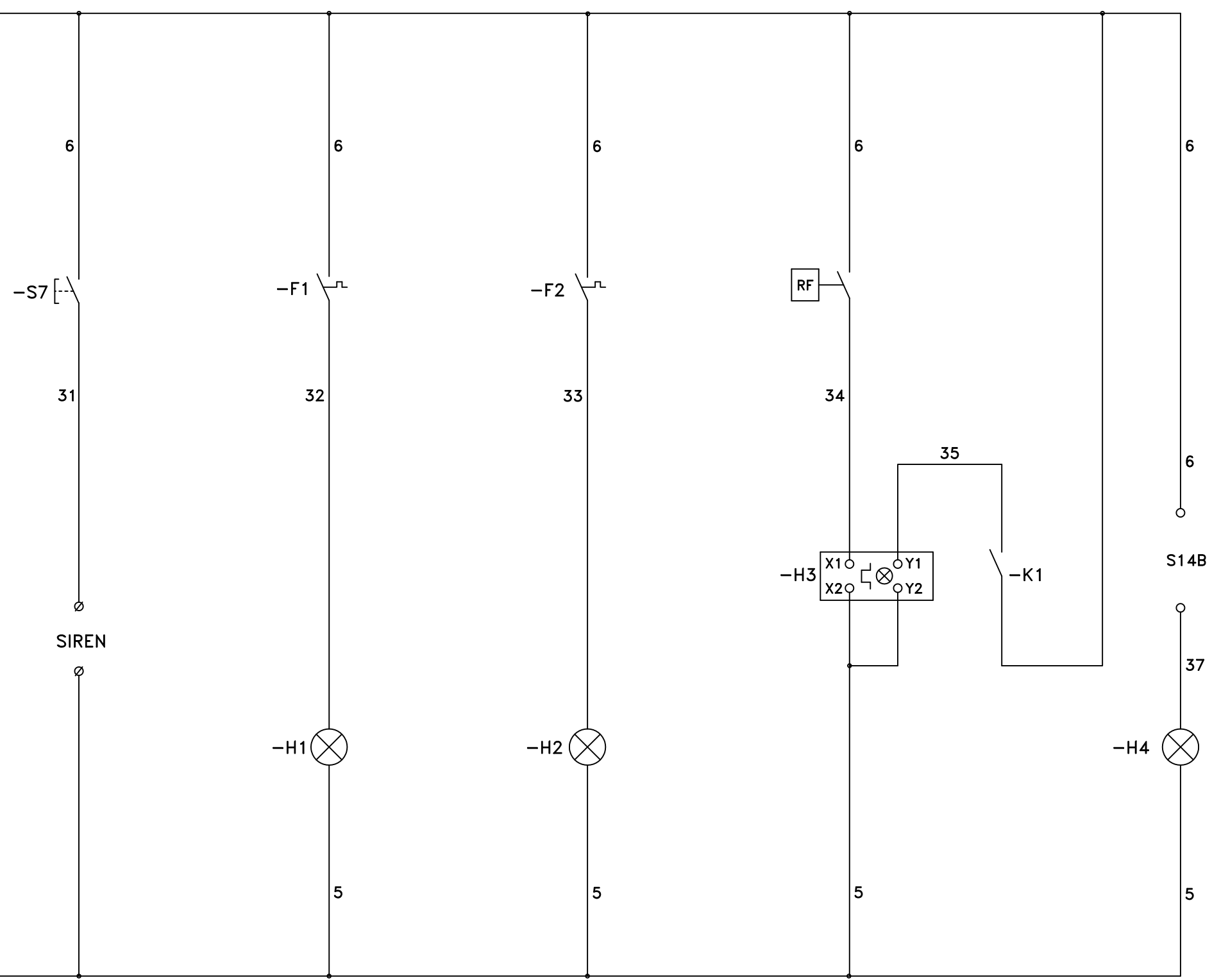
MICROSWITCH POSITION ON TIMER

K6 - ONLY FOR DROP TEST

MODIFY:	ORDER:
MODIFY:	CUSTOMER:
MODIFY:	SCALE:
DRAWN: _____ CHECKED: _____ MACHINE: _____ DATE: 29.11.04 SIGN: VERGERIO	29.11.04 FURLAN ASC JUNIOR (tradehouse)
DESCRIPTION: AUXILIAR CIRCUIT SUBSTITUTE: 2.04.57.004_A SUBSTITUTED: _____ DRAWING: 2.04.57.002 SHEET: 2	

SHEET N°2 B/47 ← 6

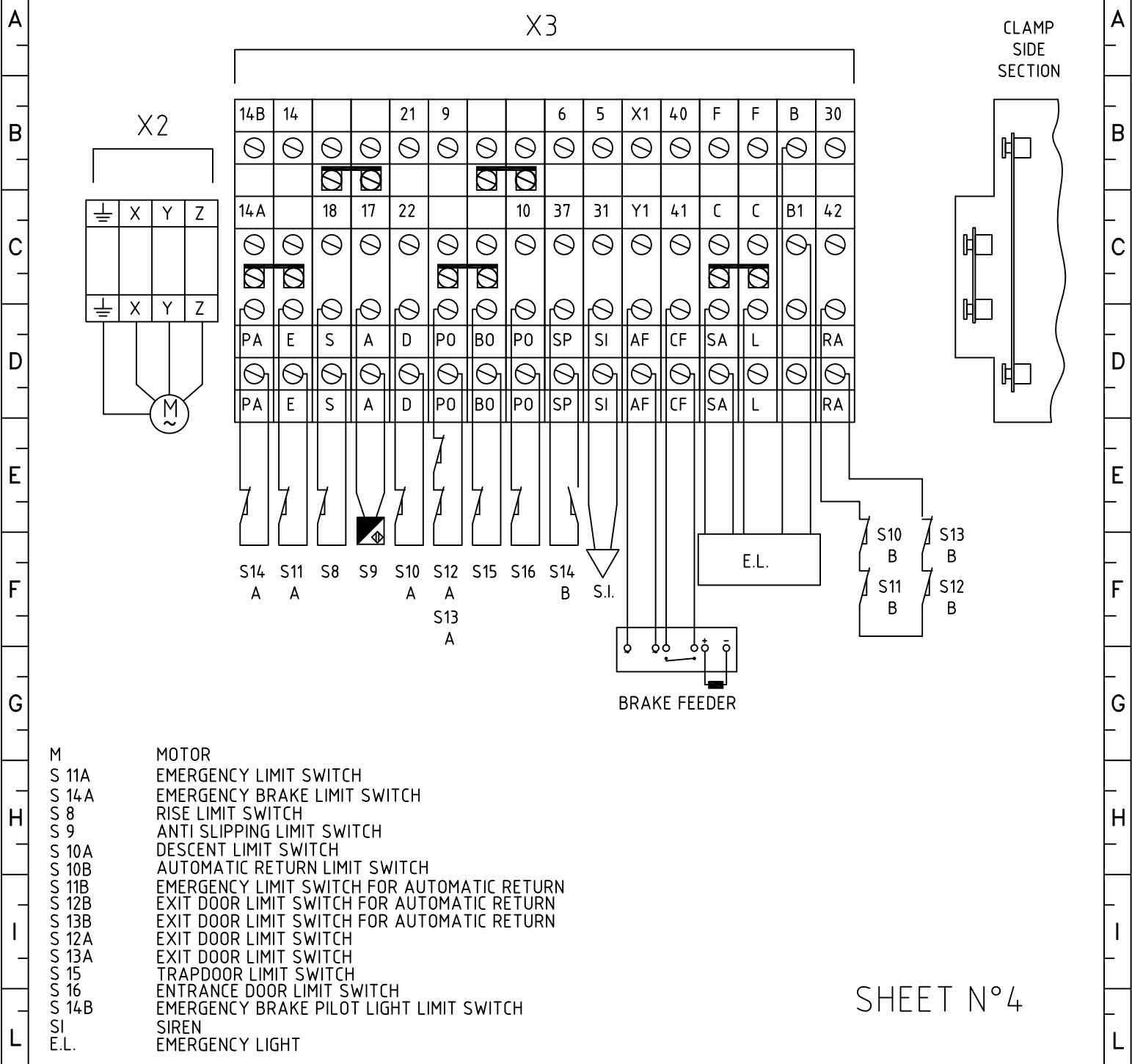
SHEET N°2 S/47 ← 5



SHEET N°3

MODIFY:		ORDER:	
MODIFY:		CUSTOMER:	
MODIFY:		SCALE:	
DATE	CHECKED	MACHINE	SCALE
29.11.04	29.11.04	ASC JUNIOR (tradehouse)	
SIGN	VERGERIO	FURLAN	
DESCRIPTION			SHEET
AUXILIAR CIRCUIT			3
SUBSTITUTE		DRAWING	
2.04.57.001		2.04.57.003	

Via S. Rocco, 8 31041 CORTINA (TV)  
 Tel. 0438/423084  
 Fax 0438/423084  
 PONTREGGI AUTOSOLLEVANTI Indirizzo Internet: pontreggi@net.it



- M MOTOR
- S 11A EMERGENCY LIMIT SWITCH
- S 14A EMERGENCY BRAKE LIMIT SWITCH
- S 8 RISE LIMIT SWITCH
- S 9 ANTI SLIPPING LIMIT SWITCH
- S 10A DESCENT LIMIT SWITCH
- S 10B AUTOMATIC RETURN LIMIT SWITCH
- S 11B EMERGENCY LIMIT SWITCH FOR AUTOMATIC RETURN
- S 12B EXIT DOOR LIMIT SWITCH FOR AUTOMATIC RETURN
- S 13B EXIT DOOR LIMIT SWITCH FOR AUTOMATIC RETURN
- S 12A EXIT DOOR LIMIT SWITCH
- S 13A EXIT DOOR LIMIT SWITCH
- S 15 TRAPDOOR LIMIT SWITCH
- S 16 ENTRANCE DOOR LIMIT SWITCH
- S 14B EMERGENCY BRAKE PILOT LIGHT LIMIT SWITCH
- S1 SIREN
- E.L. EMERGENCY LIGHT

SHEET N°4

THIS DRAWING AND THE INFORMATION HERE CONTAINED ARE PRIVATE PROPERTY - DON'T COPY OR DISTRIBUTE IT EVEN PARTIALLY WITHOUT FACTORY AUTHORIZATION.	MODIFY:		ORDER:	
	MODIFY:			
	MODIFY:		CUSTOMER:	
	MODIFY:			
	DRAWN	CHECKED	MACHINE:	SCALE
DATE	29.11.04	29.11.04	<b>ASC JUNIOR (tradehouse)</b>	
SIGN.	VERGERIO	FURLAN		
Via S. Rocco, 8 31041 CORNUDA (TV) Tel/fax Uff. Tecnico: 0423/688843 Tel. Sede Amm. 0423/639321 Fax: 0423/639410			DESCRIPTION:	
PONTEGGI AUTOSOLLEVANTI Indirizzio Internet: tech@safi.it			<b>TERMINAL BOARD</b>	
SUBSTITUTE:		SUBSTITUTED:		DRAWING:
2.04.57.006_A				2.04.57.004
				SHEET:
				4