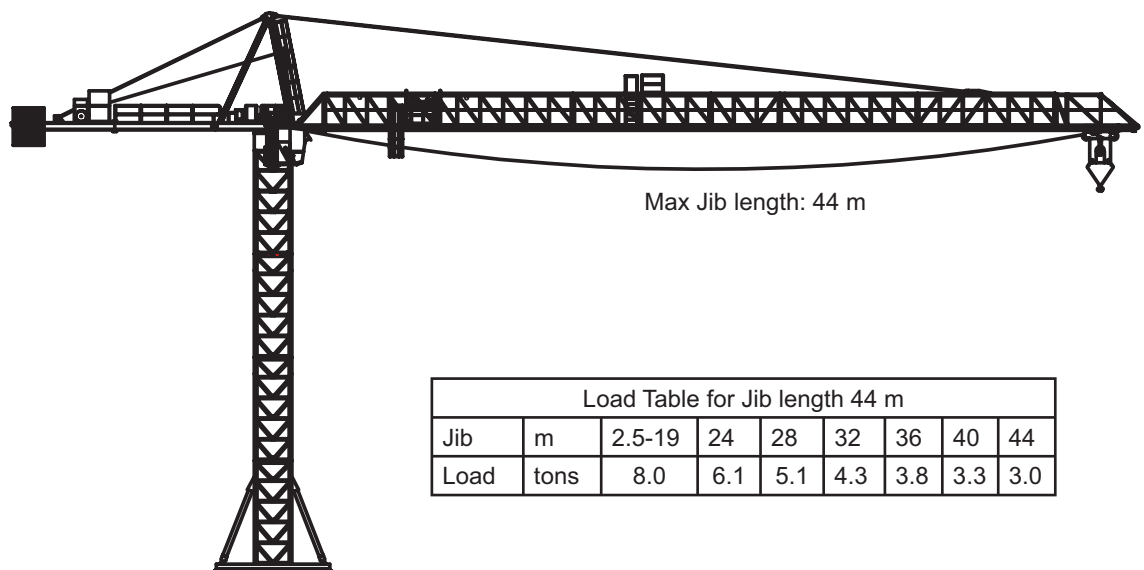
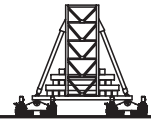

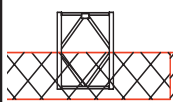
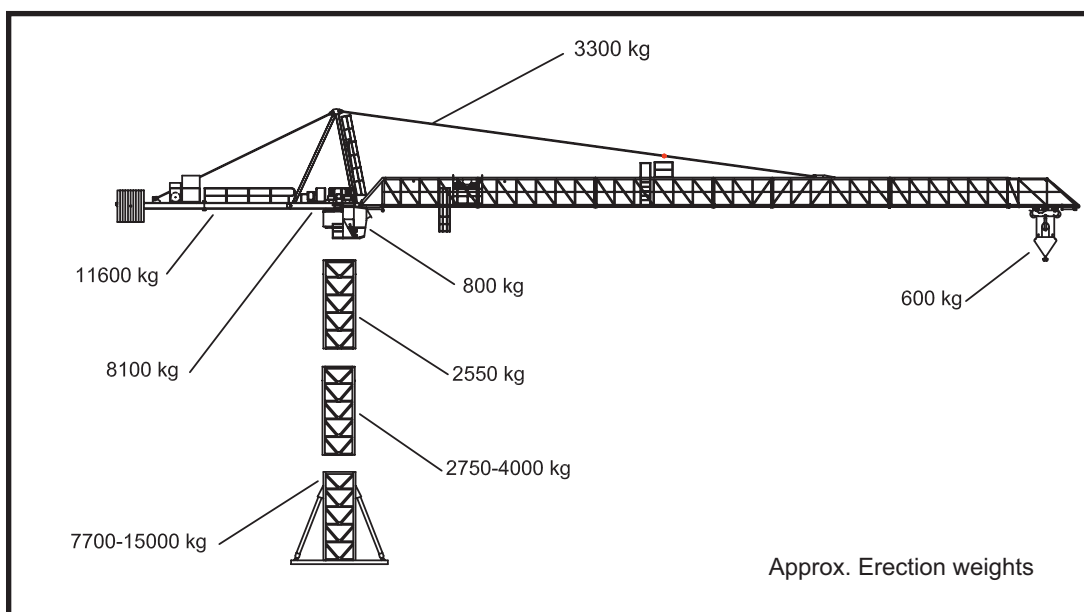


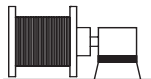


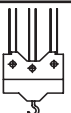
KROLL TOWER CRANE K138



TRADEHOUSE International A/S
Poppelgaardvej 7, DK 2860 Soborg
Tel: +45 3966 1866, Fax: +45 3966 1065
lohmann@tradehouse.dk
www.tradehouse.dk

Kroll Tower Crane K138									
Hook height		m	44	38	32	26	20	14	
			Erected on bottom cross for rail travelling						
	Gauge		m	6	6	6	6	6	6
	Ballast		ton	56	32	28	28	28	28
	Corner pressure	In Service	kN	560	470	420	400	370	350
	Corner pressure	Out of Service	kN	Less than in service					
	B x B x H		Erected on bottom cross on foundation plate						
	B		m	7	7	7	7	7	7
	H		m	0.8	0.8	0.8	0.8	0.8	0.8
	Foundation weight		ton	94	94	94	94	94	94
	B x B x H		Erected on cast in section						
	Hook height		m	46	40	34	28	26	
	B		m	5.5	5.5	5.0	5.0	5.0	
	H		m	1.4	1.4	1.4	1.4	1.4	
	Foundation weight		ton	100	100	83	83	83	



Hoisting Speeds		
	50 HP	75 HP
	0-4000 kg 0.2-44 m/min	0-4000 kg 0.2-62 m/min
	0-8000 kg 0.1-22 m/min	0-8000 kg 0.1-31 m/min
	0 - 12000 kg 0.05-15 m/min	0 - 12000 kg 0.05-33 m/min