

5.0 Electrical system

5.1 Wiring diagrams

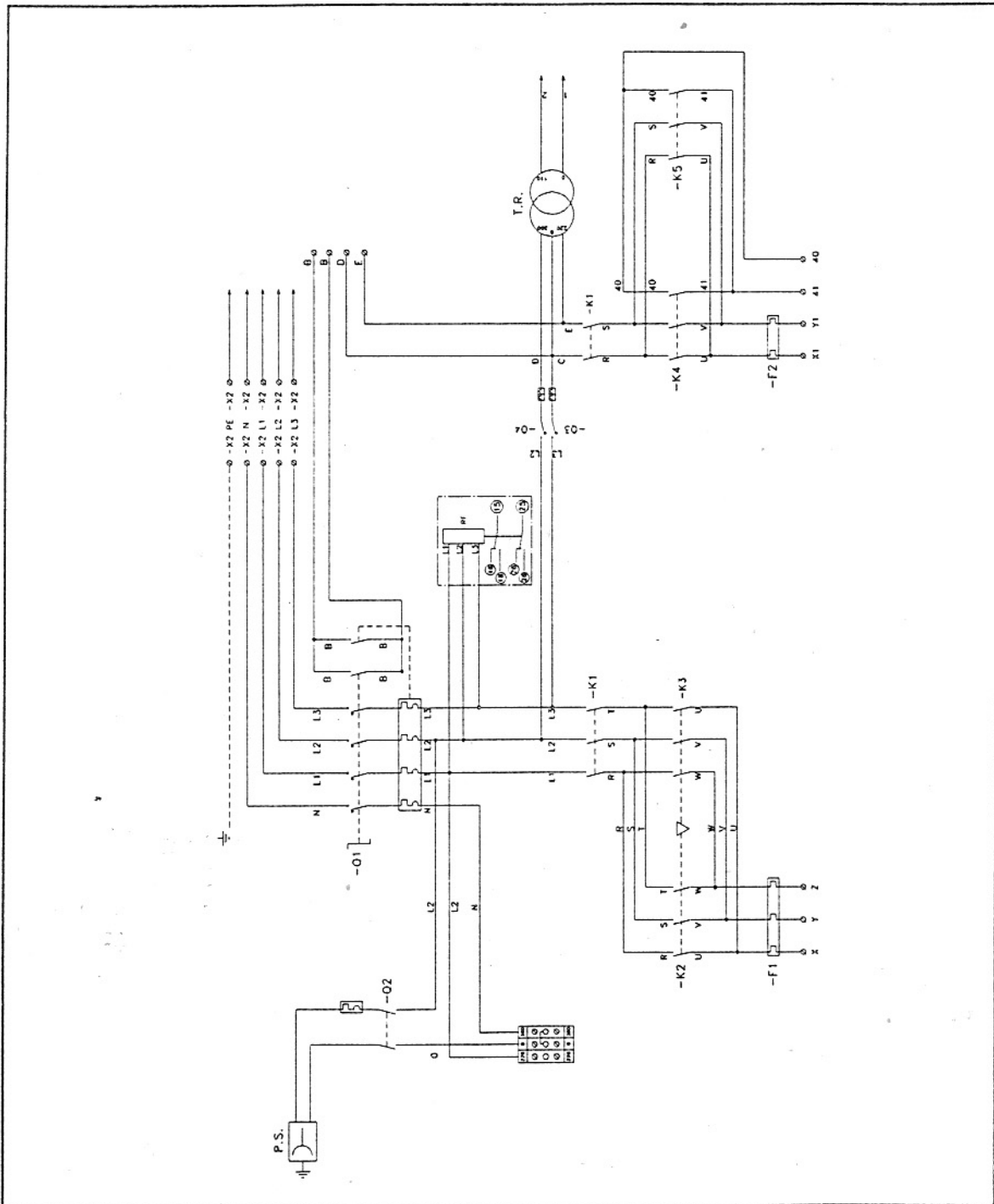


Figure 5.1.1 - Power circuit

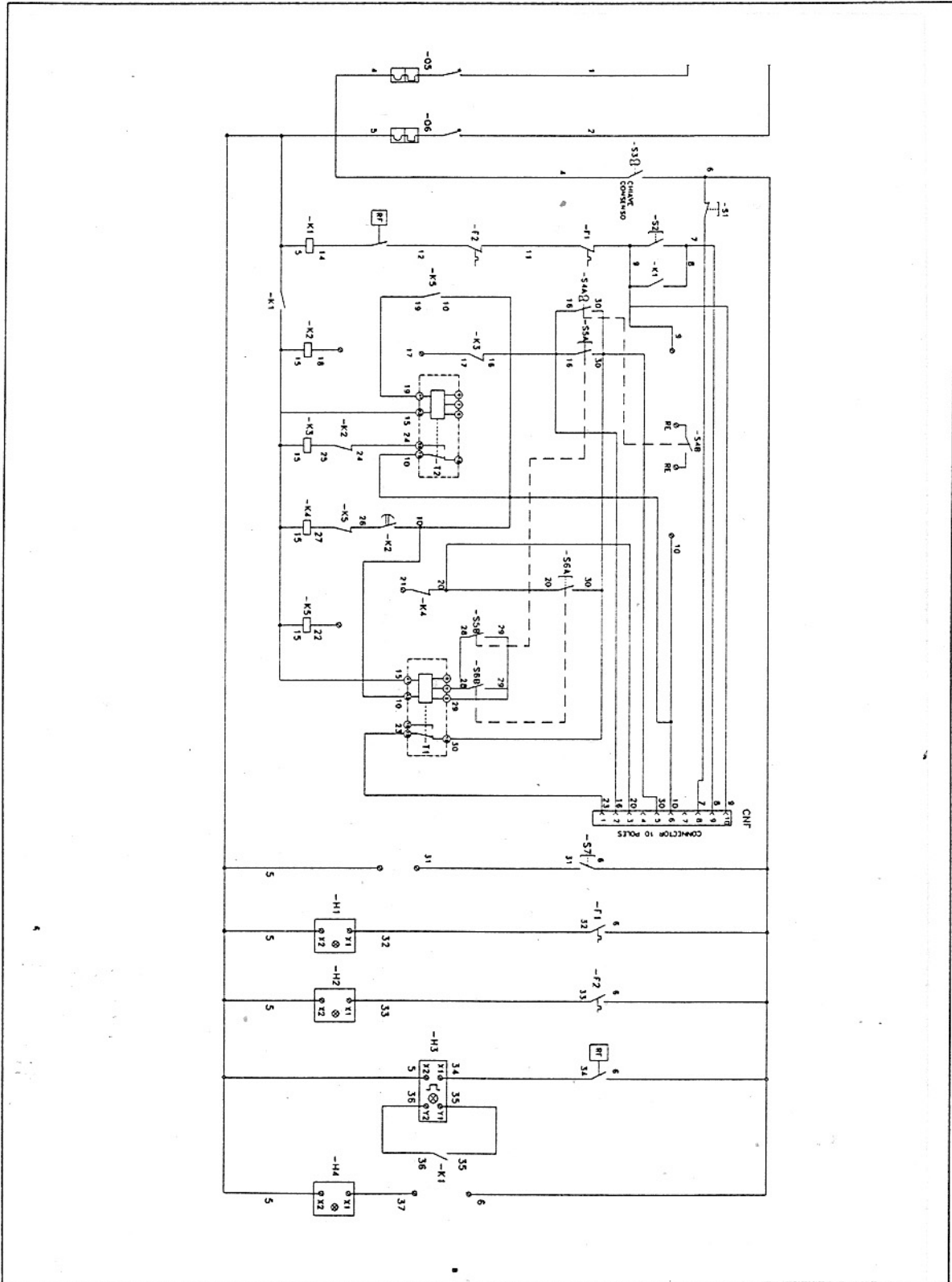


Figure 5.1.2 - Auxiliary circuit

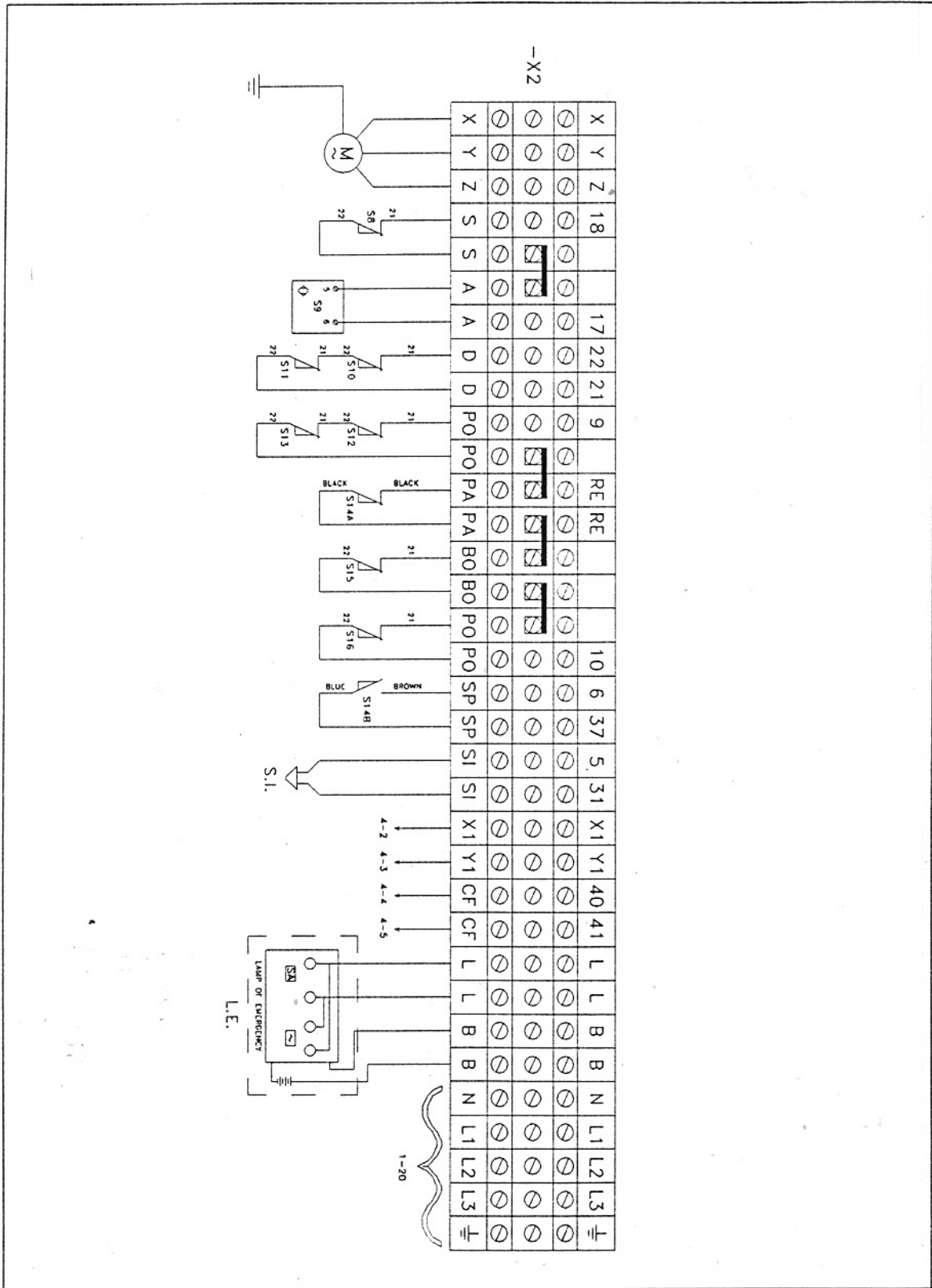


Figure 5.1.3 - Junction terminal board