

5.0 Electrical system

5.1 Wiring diagrams

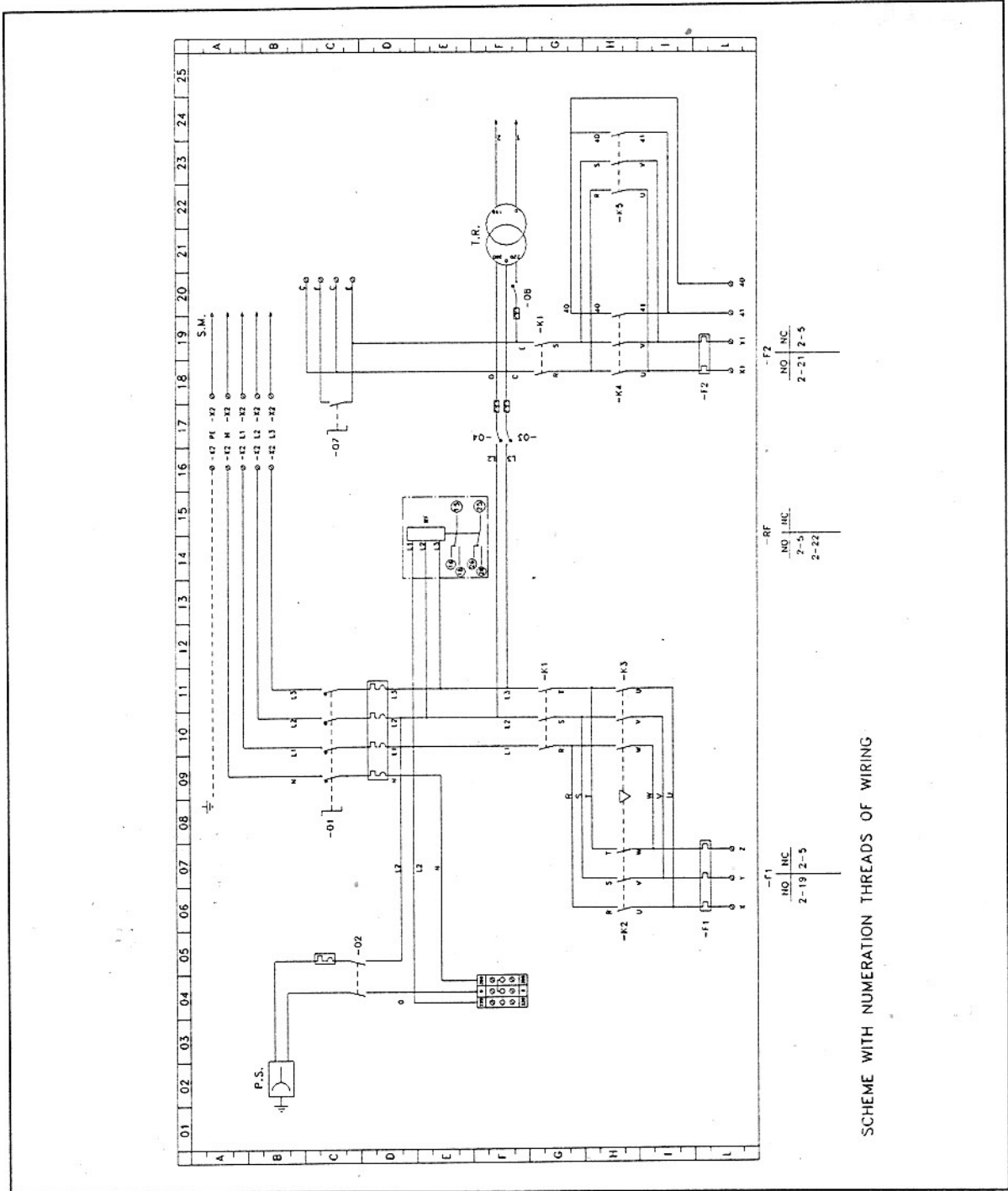
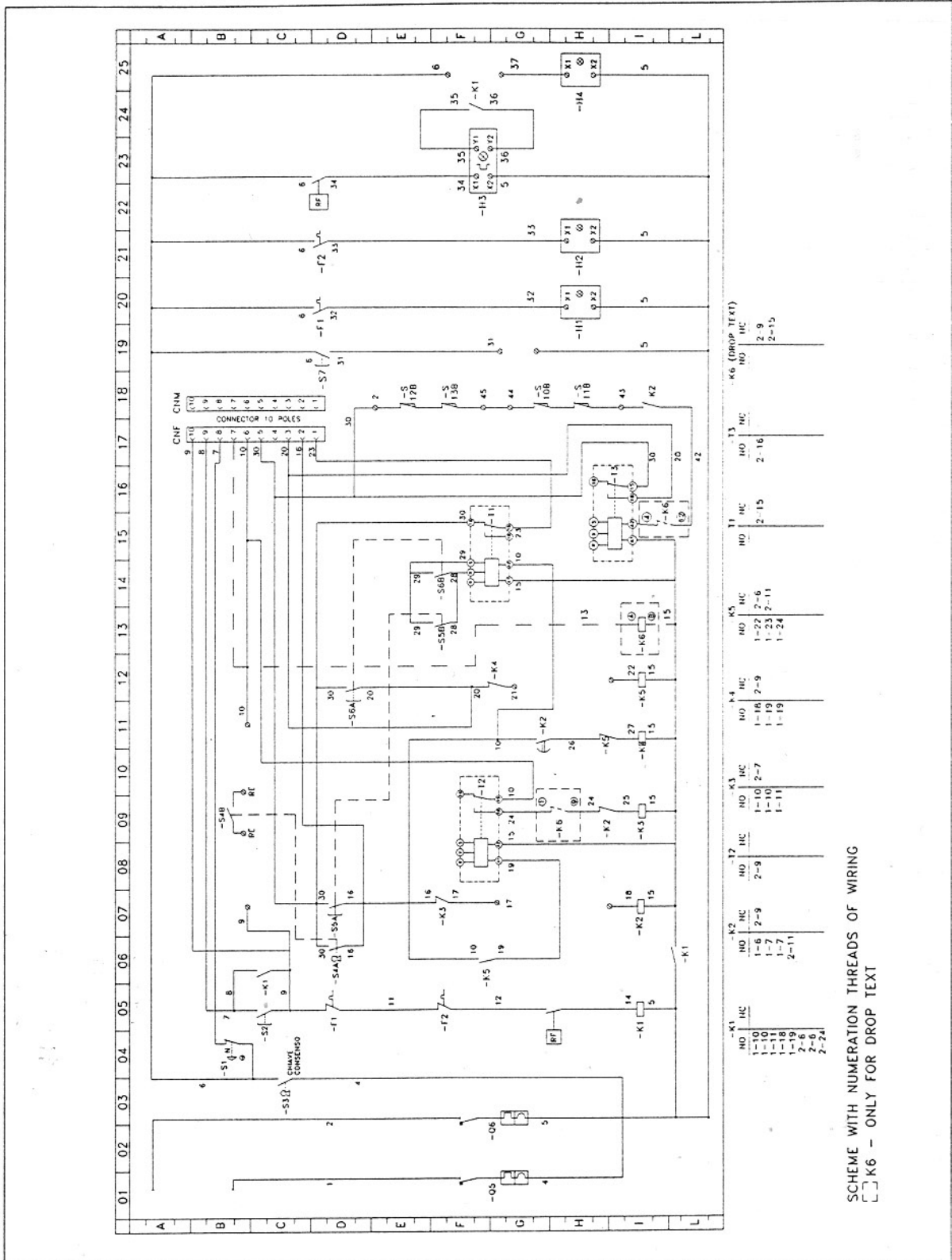


Figure 5.1.1 - Power circuit



SCHEME WITH NUMERATION THREADS OF WIRING
[] K6 - ONLY FOR DROP TEXT

Figure 5.1.2 - Auxiliary circuit

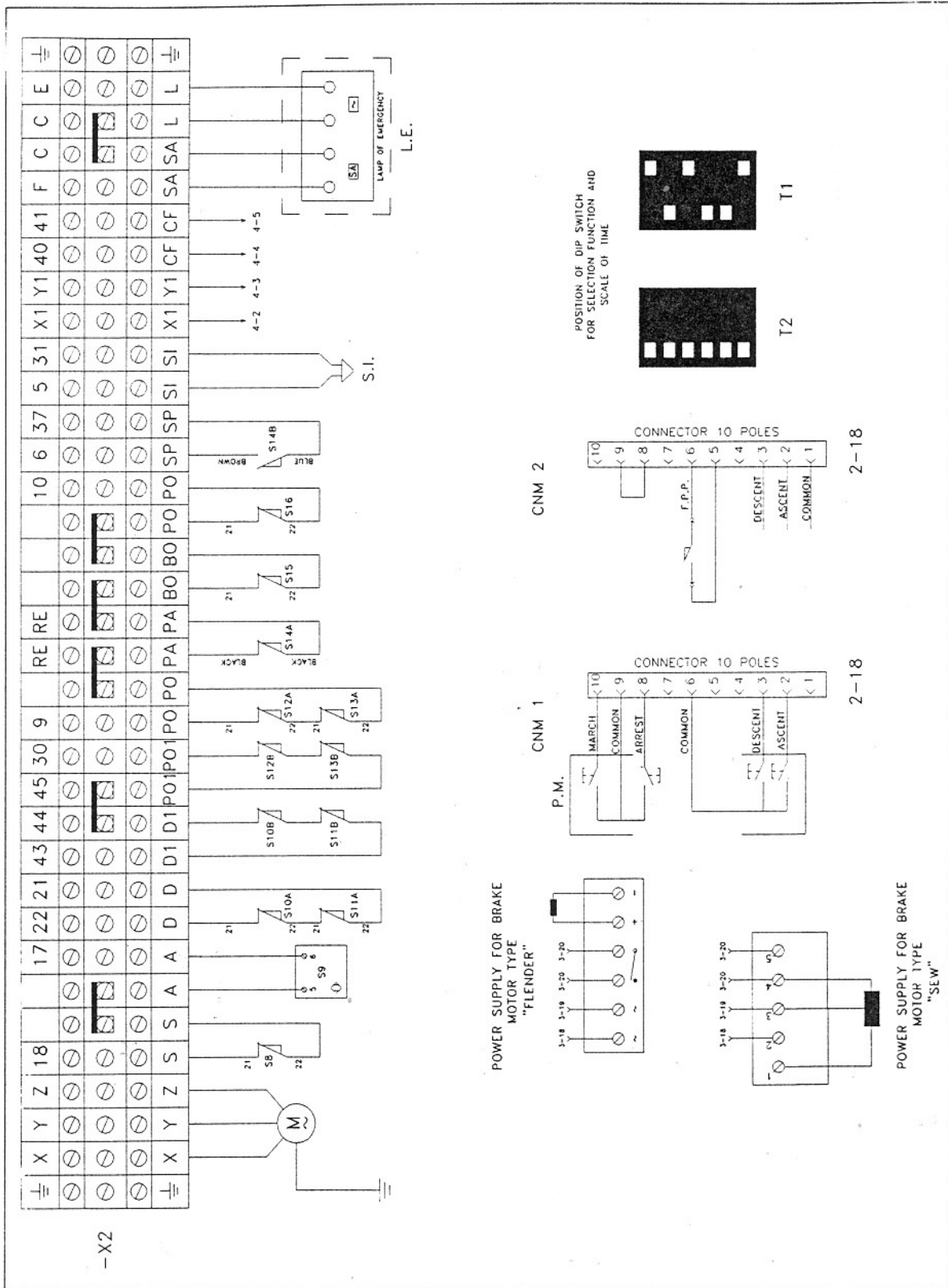


Figure 5.1.3 - Junction terminal board