

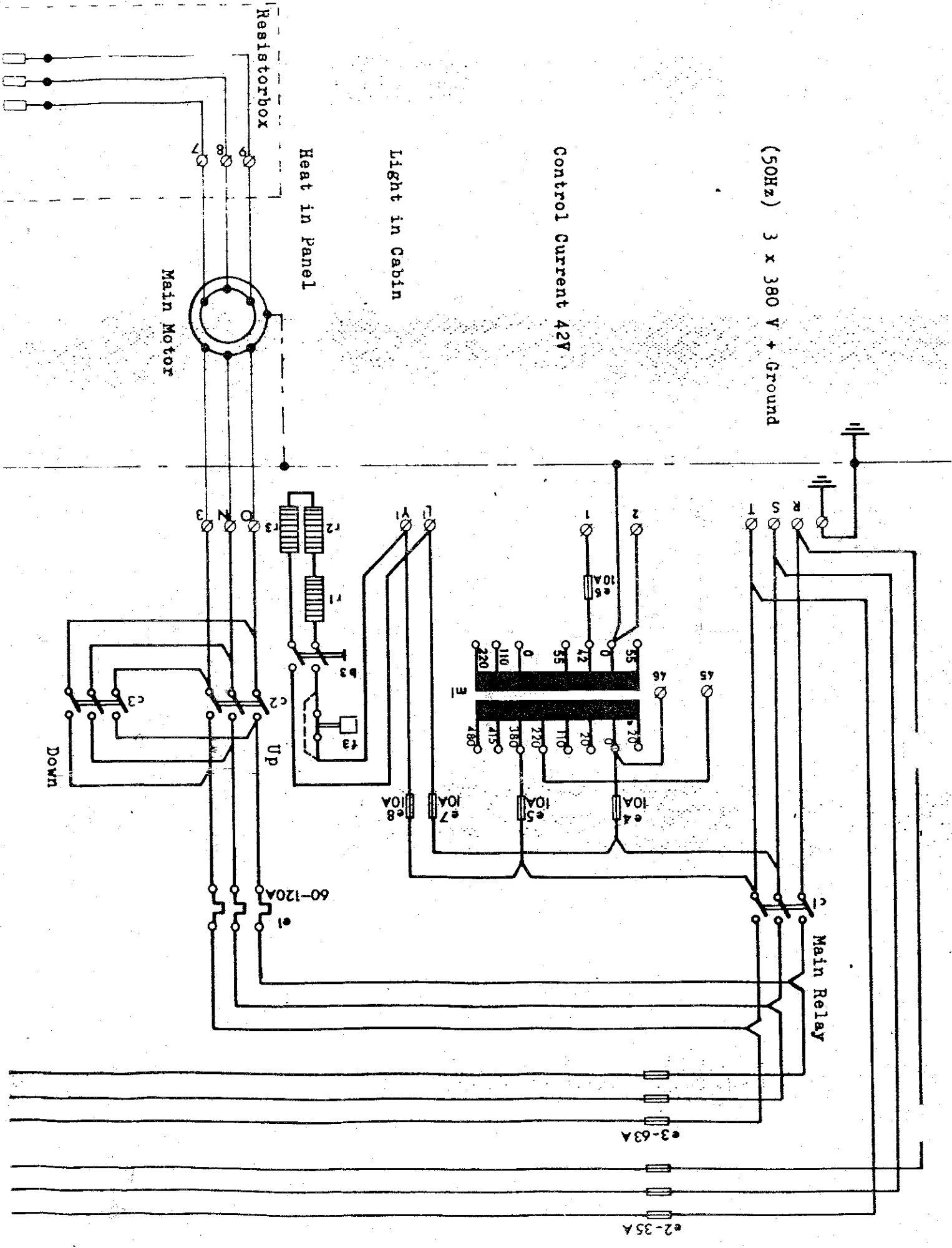
(50Hz) 3 x 380 V + Ground

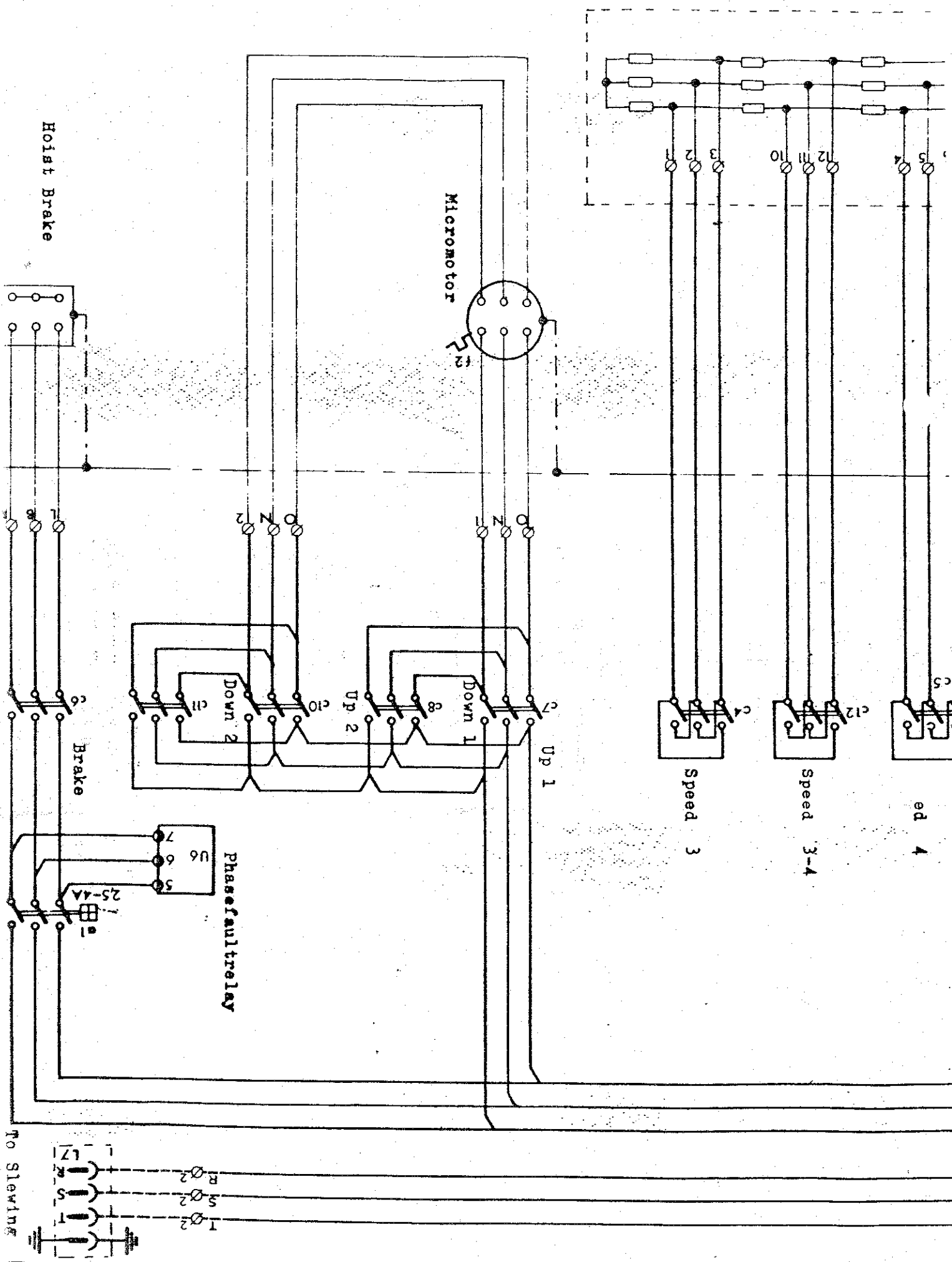
Control Current 42V

Light in Cabin

Heat in Panel

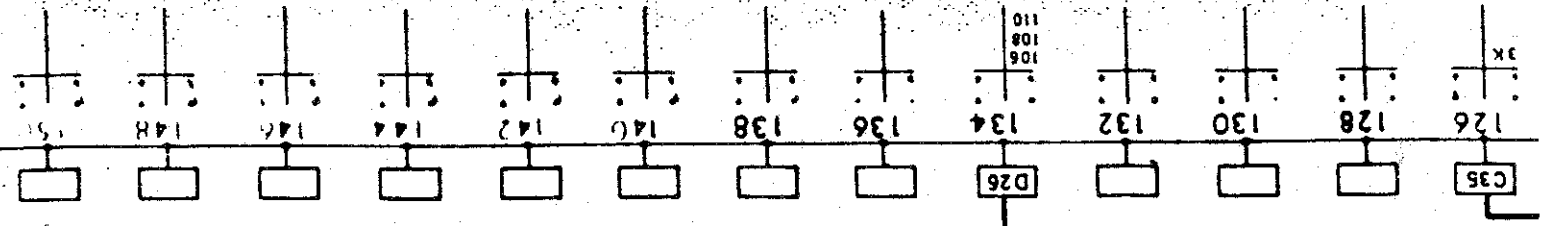
Main Motor



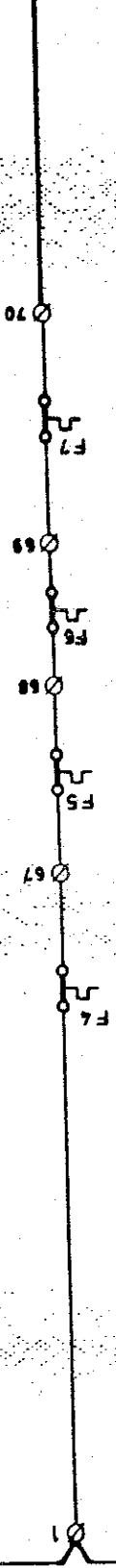


Hc 4

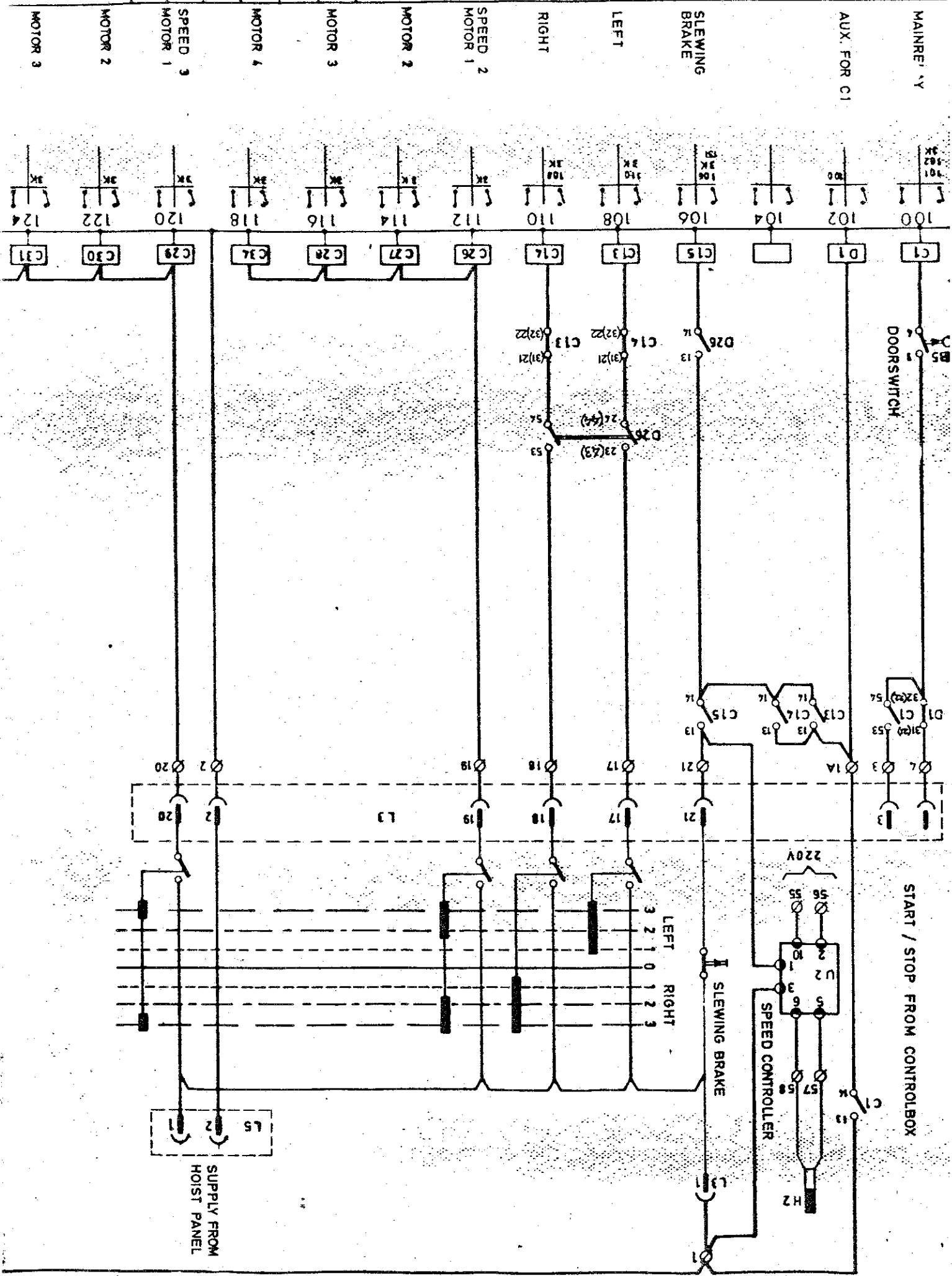
Thermorelay



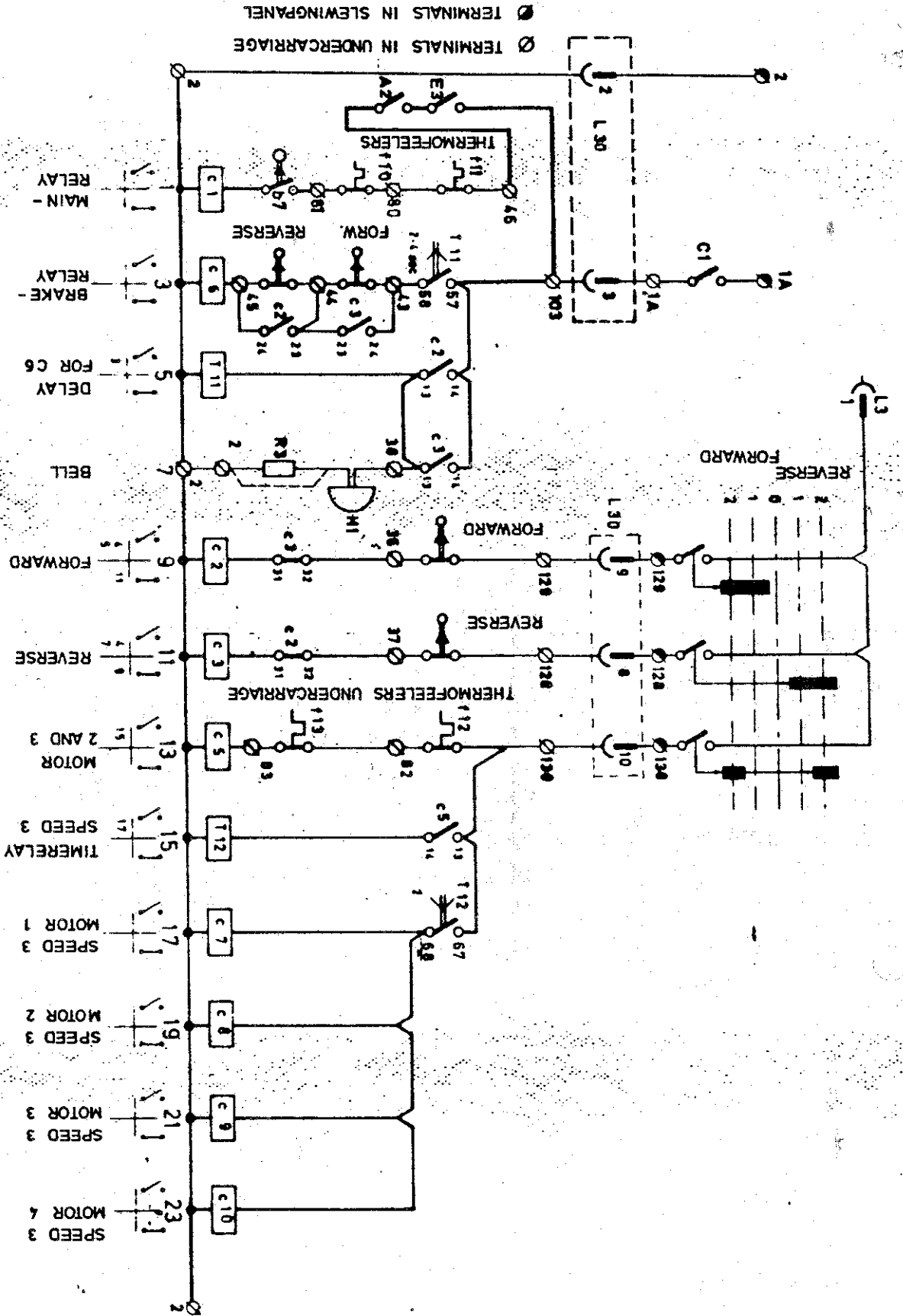
Thermofeelers



Tag	Godt	Date



CARRIAGE



TERMINALS IN UNDERCARRIAGE
 TERMINALS IN SLEWINGPANEL

KRAFTSTRØM
 UNDERVOGN

KRØLL CRANES A/S

Nordkranvej 2 DK - 3540 Lynge Danmark
 Phone +45 2 1874 00 Telex 40031 ncrane dk

CONTROL - CURRENT

K-200D

No.

TEGN
 DATO

U 050028 a

U 050028 a

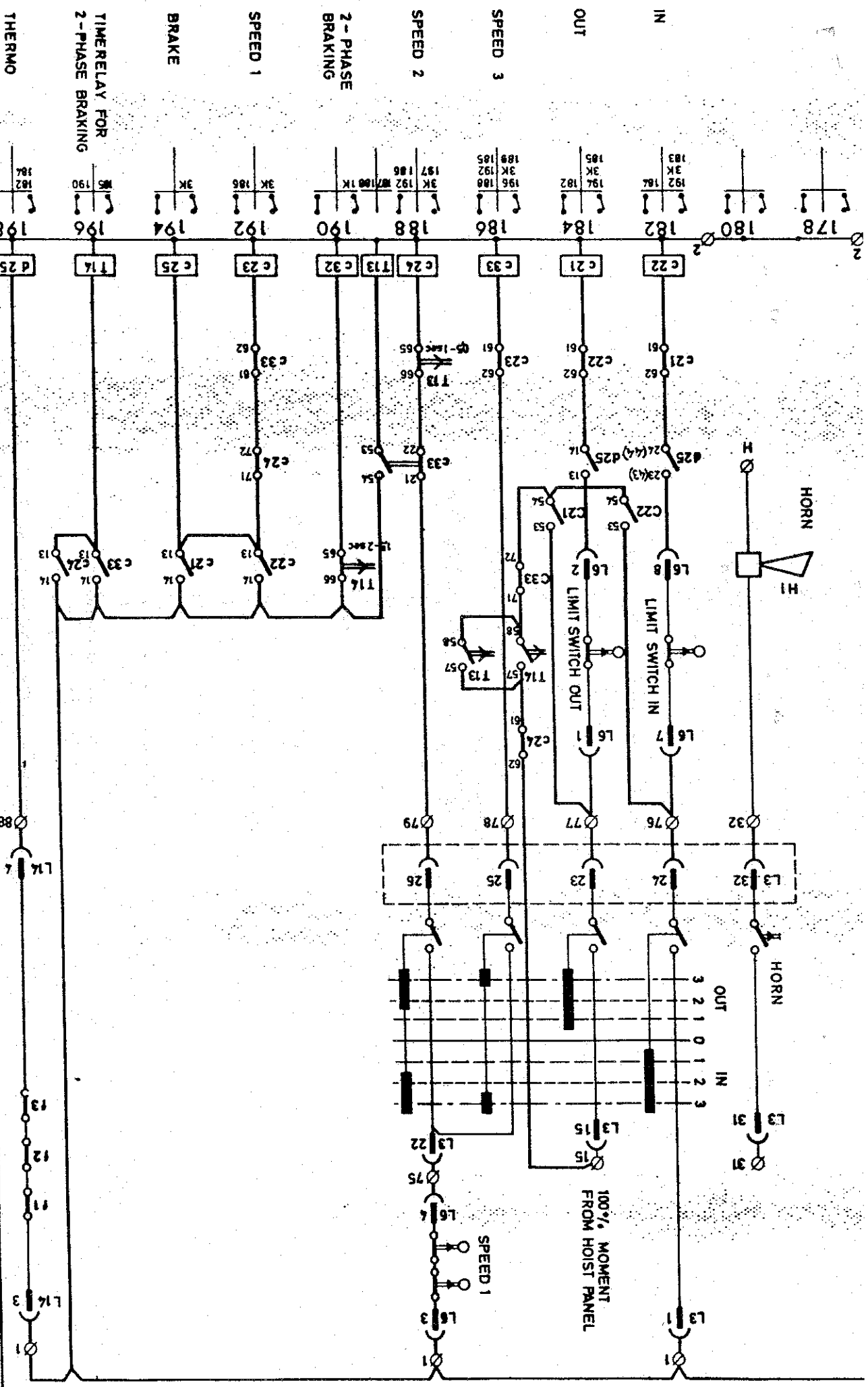
TEGN	TEGN	TEGN	TEGN
DATA	DATA	DATA	DATA

KATSPIL
LAUFKATZE
TROLLEY

(E)

JRJ
Dato Godk. Dato
Dm Dm
820115 820115
820712 820712

S 40051 B



KRAFTSTRØM
KRAFTSTRØM
POWER CURRENT

THERMO

2-PHASE BRAKING FOR
TIMERELAY FOR

BRAKE

SPEED 1

2-PHASE
BRAKING

SPEED 2

SPEED 3

OUT

IN

HORN
H1

100% MOMENT
FROM HOIST PANEL

SPEED 1

KRØLL CRANES

Nordkranvej 2 DK - 3540 Lyngø Danmark
Phone +452 187400 Telex 40031 ncrane dk

STYRESTRØM

NUMMERLISTE FOR MULTITIK INDLAGT UNDER DENNE SIDE

STYRESTRØM

NUMMERLISTE HUR MUL TISTEDEKKEP UNDER DIE SER SEITE ENGELÉGT

CONTROL-CURRENT

LIST OF NUMBERS FOR M.L. 2LE PLUGS INSERTED UNDER THIS PAGE

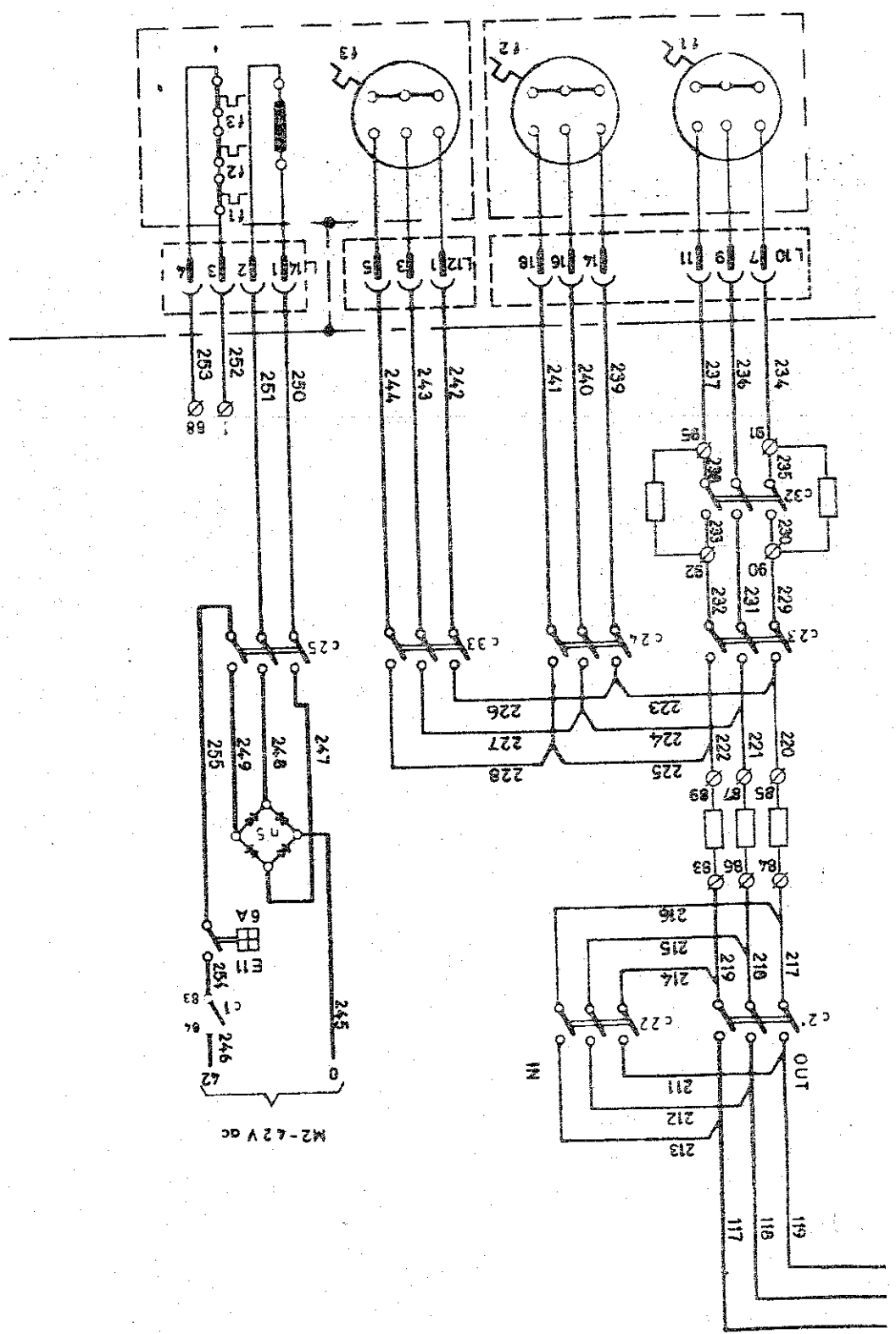
K-250 D

1304

Tegn. Dato

E 255-0042 - 0

SPEED 1
 SPEED 2
 SPEED 3
 BRAKE
 THERMO



KRØLL CRANES A/S
 Nordkranvej 2 DK - 3540 Lyngø Danmark
 Phone +45 2 187400 fax 40031 ncrane dk

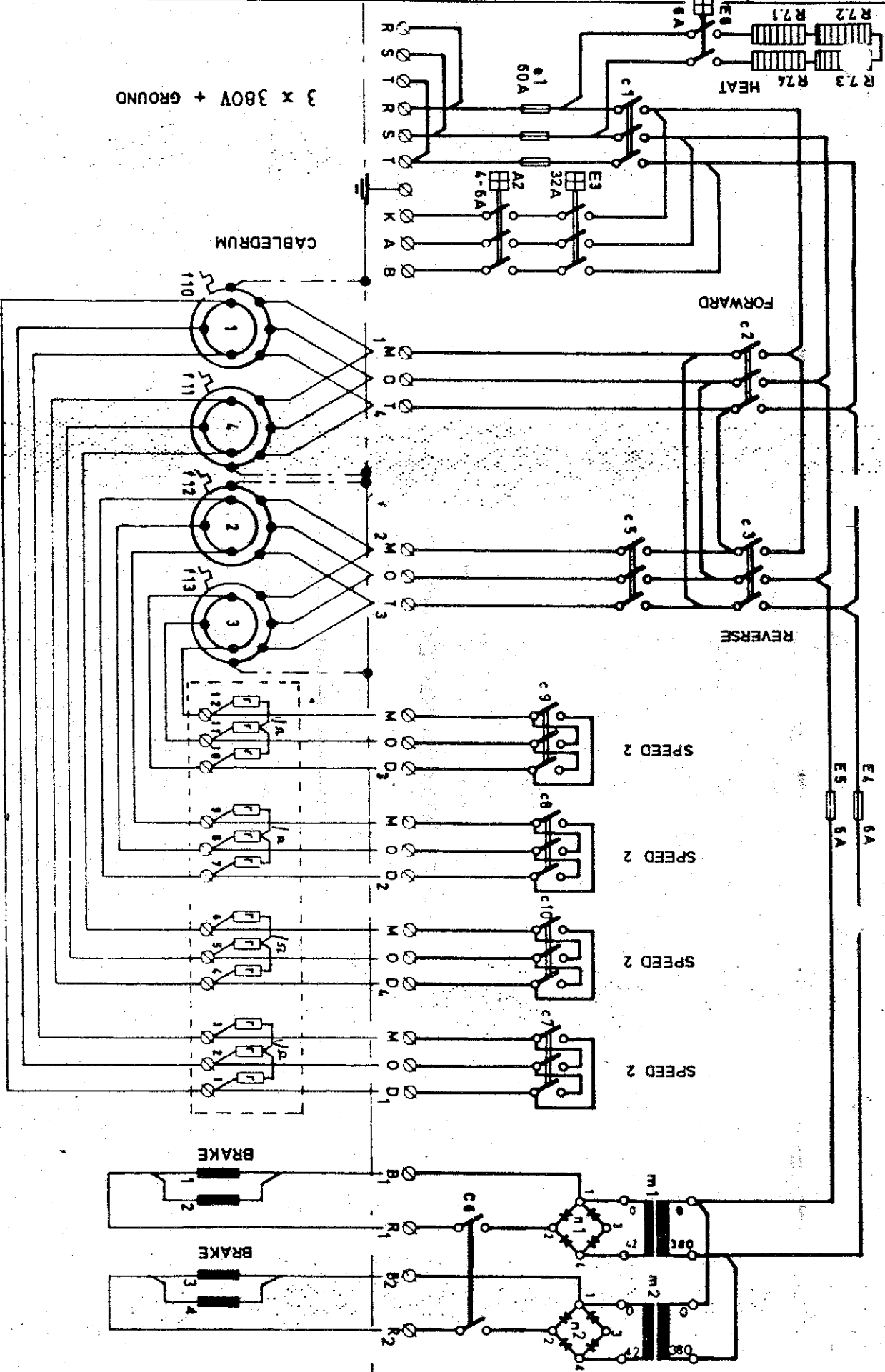
**KRAFTSTRØM
 KRAFTSTROM
 POWER CURRENT**

K-250 D

E 250 - 5042-0

JRS Gm B&TZZ
 Grnd. Dsk

UNDERVOGN
 FAHRWERK
 CARRIAGE



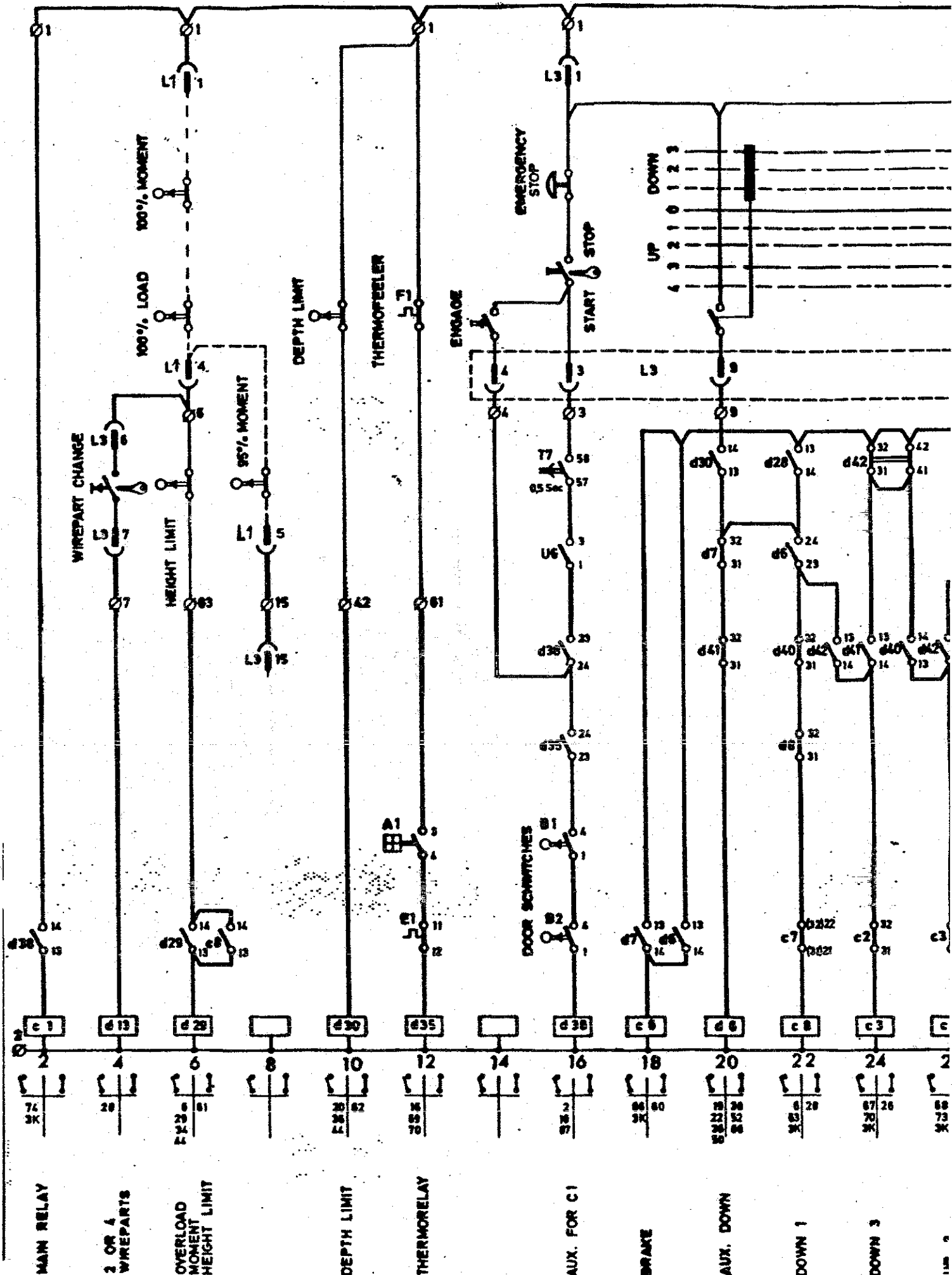
U 550029 b

KRØLL CRANES A/S
 Nordkranvej 2 DK-3540 Lyngø Danmark
 Phone +452 187400 Telex 40031 ncrane dk

**KRAFTSTRØM
 KRAFTSTROM
 POWER-CURRENT**

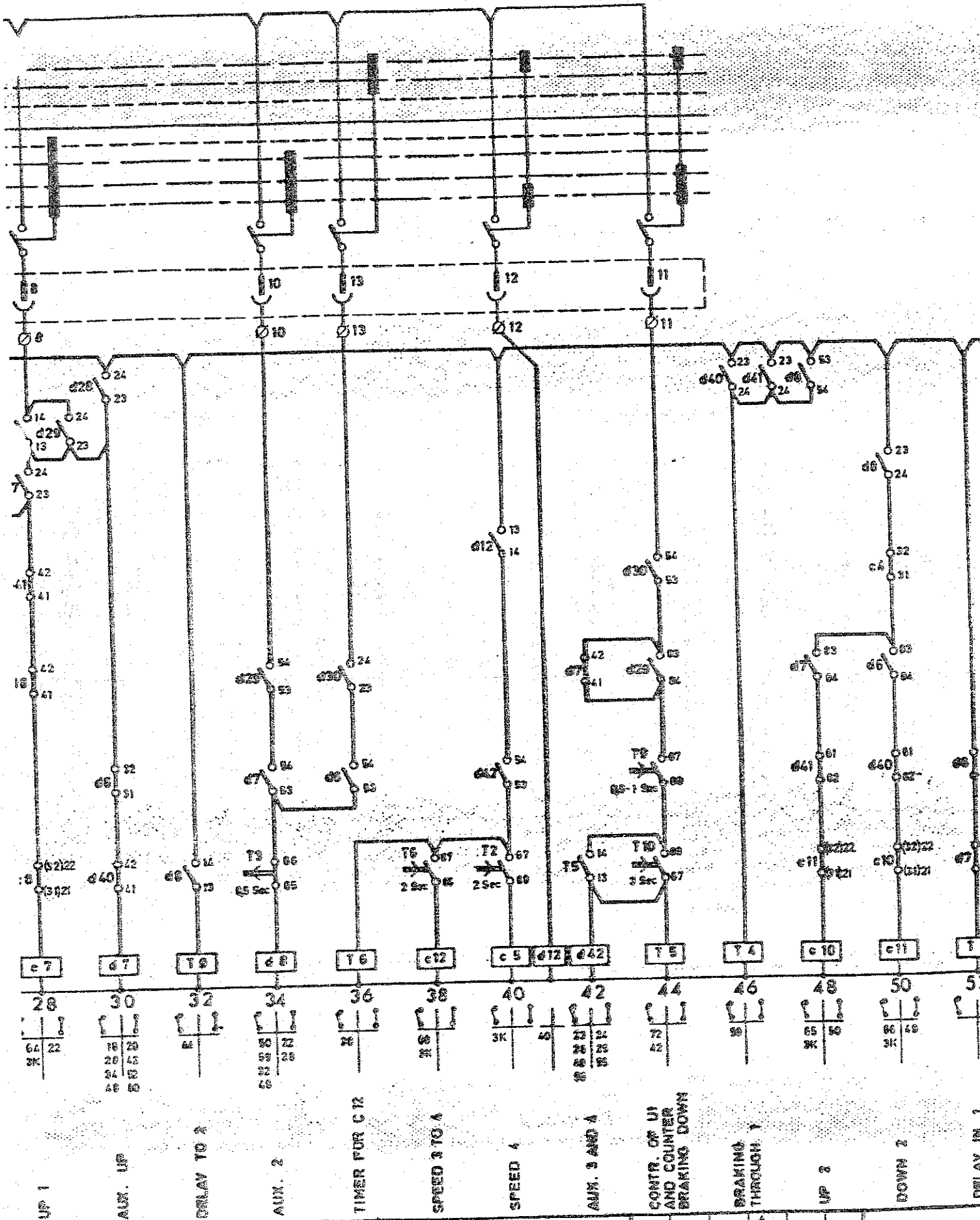
K-200D
 NO. _____
 Tegn. 1
 Dato _____

U 550029 b



LASTSPK
 FUSWIDE
 HOIST

Tegn	Godt	Dato	8/1
86	87	88	89

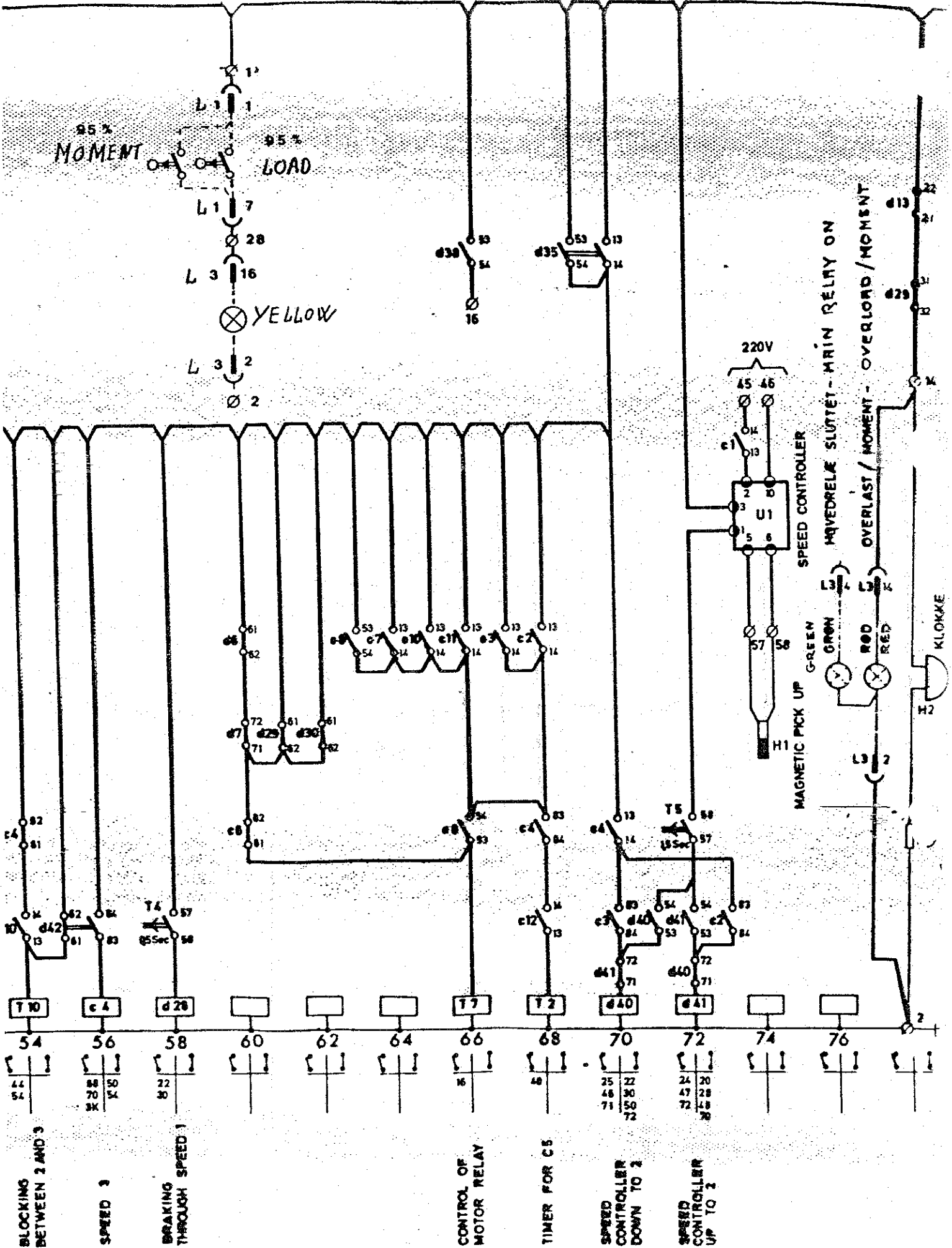


LASTER
KUBWICK
ROBT

2 / 3

Typ.	Code	Date	Rev
JRL	67	10/10/50	1

S 20083 e



LASTSPIL
HUBWINDE
HOIST

3/3

Tegn	Godek	Dato	87
JRJ	87	1987	1987

S 20083