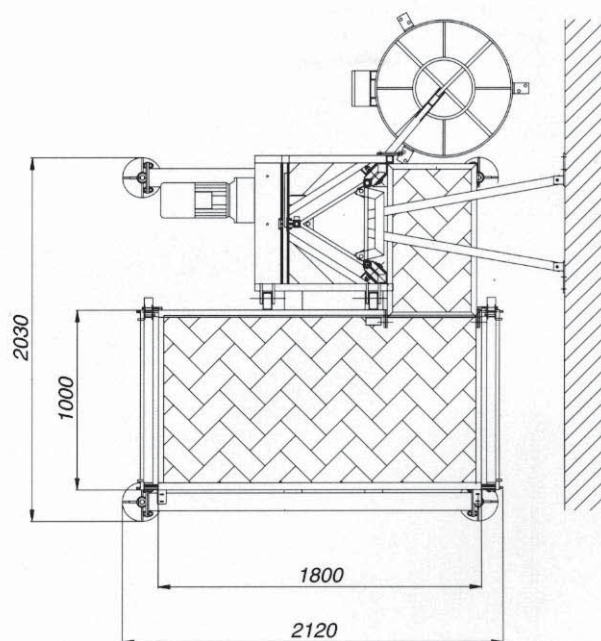
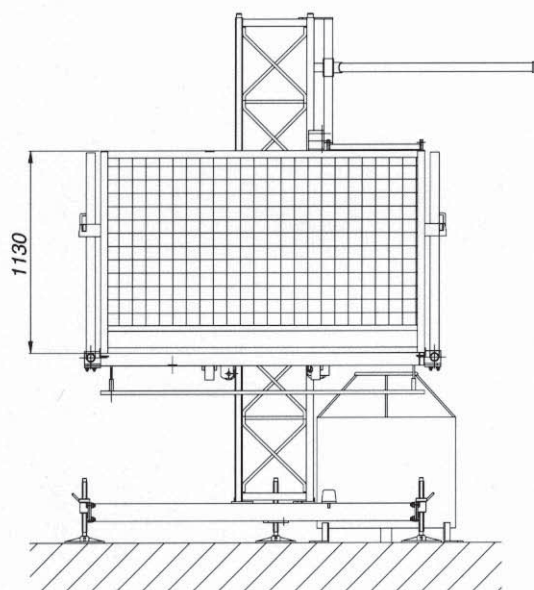


# MATERIAL HOIST GAMMA MC



TRADEHOUSE International A/S  
Poppelgaardvej 7, DK 2860 Soborg  
Tel: +45 3966 1866, Fax: +45 3966 1065  
lohmam@tradehouse.dk  
www.tradehouse.dk

## GAMMA MC



Technical Features	
Max height	100 m
Cage dimensions (LxW)	1.8 x 1.0
Tie in every	6 m
Vertical element's height	1.5 m
Max payload	800 kg
Climbing speed	24 m/min
Three phase power supply	230/400 V 50 Hz
No. of motorgears	1 x 5.5 kW